



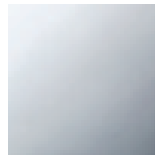
Sink - MEM

Single-lever lavatory mixer without drain - polished chrome

Article number: 33 526 782-00 0010

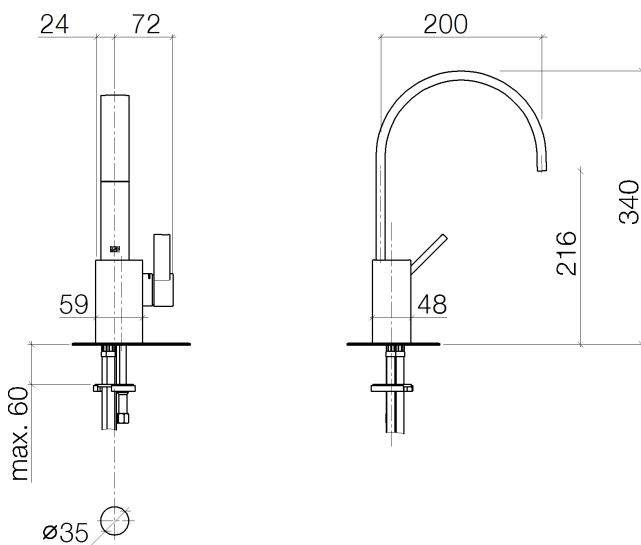


- 7-7/8" Projection
- Rigid spout
- Rectangular aerated stream
- Total height 13-3/8"
- Height to aerator/spout outlet 8-1/2"
- 1-3/8" hole diameter
- 2x 3/8" US flexible supply lines
- Water flow rate limited to max. 1.2 gpm
- lead-free
- (ADA)



polished chrome

Dimensional drawing



All dimensions in mm / inch = mm x 0,0394

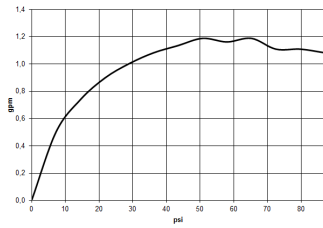


Sink - MEM

Single-lever lavatory mixer without drain - polished chrome

Article number: 33 526 782-00 0010

Flow rate chart





Sink - MEM

Single-lever lavatory mixer without drain - polished chrome

Article number: 33 526 782-00 0010

Other surface finishes



platinum matte

33 526 782-06 0010



platinum

33 526 782-08 0010



Dark Brass matte

33 526 782-16 0010



Dark Bronze matte

33 526 782-17 0010



Cyprum

33 526 782-49 0010



Dark Platinum matte

33 526 782-99 0010

More custom finish options are available via special production (xTra Service). Please see our finish matrix for availability and pricing or contact a Dornbracht representative.

Spare parts list

Number	Item Number	Designation	Number of units
--------	-------------	-------------	-----------------

